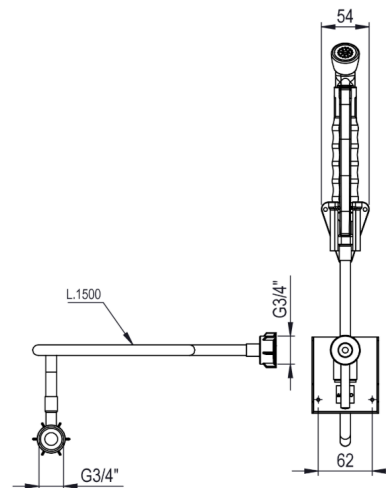



922171 (EXSISPUN)

External side spray unit (needs to be mounted outside and includes support to be mounted on the oven)

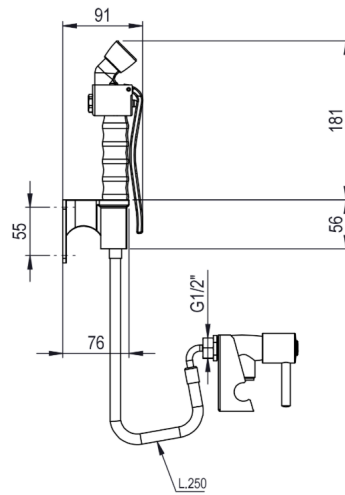
Technical specifications

Water:		Front
Capacity at 250 kPa (l/min):	0	
Pressure, bar min/max:	1-5 bar	
Key Information:		
External dimensions, Width:	220 mm	
External dimensions, Depth:	220 mm	
External dimensions, Height:	220 mm	
Net weight:	2 kg	



Side





Top

